

4

3

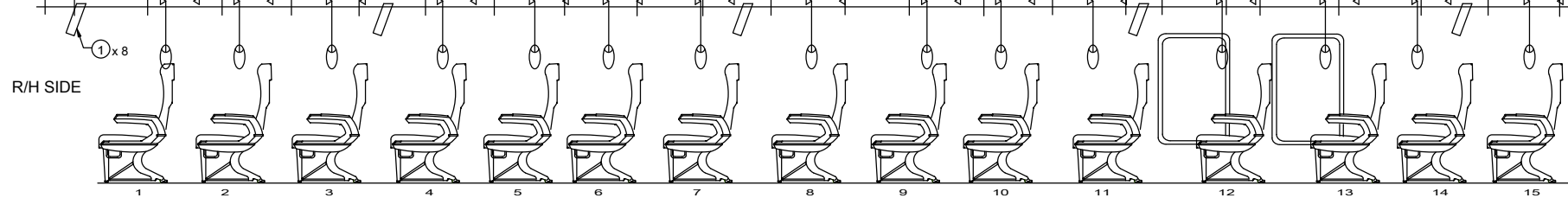
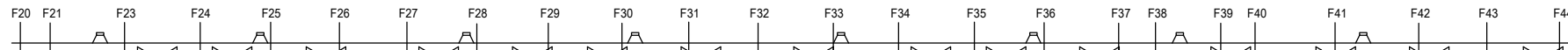
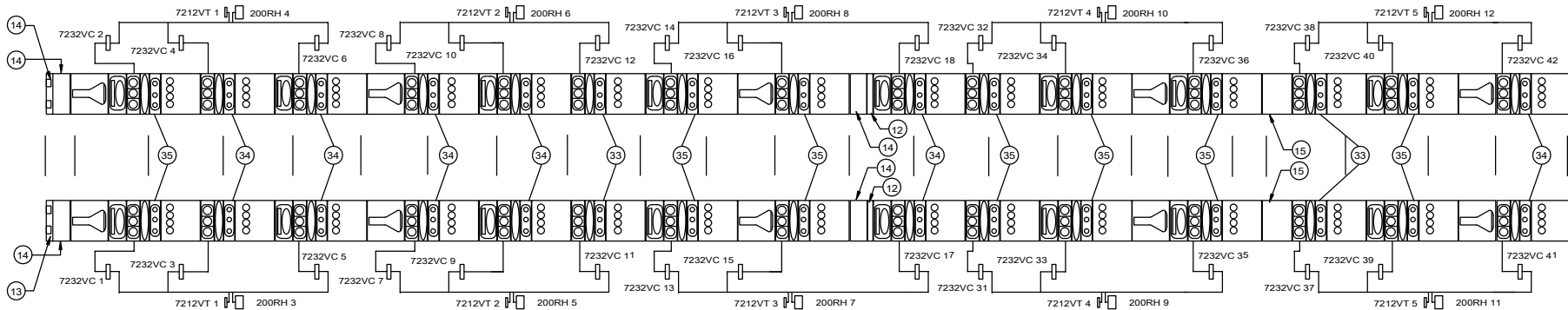
2

1

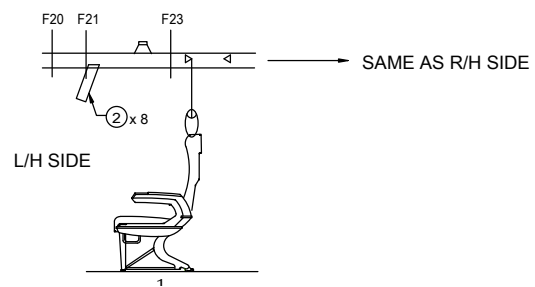
THIS DOCUMENT IS THE PROPERTY OF AIRO INDUSTRIES,CO
 AND IS PROVIDED ON THE EXPRESSED CONDITION THAT IT
 IS NOT TO BE DISCLOSED REPRODUCED IN WHOLE OR IN
 PART, OR USED FOR MANUFACTURE BY ANYONE OTHER
 THAN AIRO INDUSTRIES WITHOUT ITS WRITTEN CONSENT.
 AND THAT NO RIGHTS PERMITTED TO DISCLOSED OR SO USE
 ANY INFORMATION CONTAINED IN THIS DOCUMENT

REVISION

LTR	E.O. NO.	DATE	APPD
N/C	NEW RELEASE	03/17/2009	



VIEW LOOKING INBOARD R/H
SECTION A SIDE VIEW



VIEW LOOKING INBOARD L/H

REQ,D	PART NO.	NOMENCLATURE		ITEM
UNLESS OTHERWISE SPECIFIED DIMENSIONS ARE IN INCHES .xx = +/- .030 .xxx = +/- .010 ANGLES = +/- 1/2	DRAWN ROSS SALEM	DATE 03/17/2009	AIRO INDUSTRIES, CO 527 JESSIE STREET SAN FERNANDO, CA 91340	
	CHECK	DATE 03/17/2009		
	ENGRG	DATE 03/17/2009		
BREAK ALL SHARP EDGES MARK PART PER ML-STD-130	MFG ENGRG	DATE 03/17/2009	PSU DISTRIBUTION LAYOUT 177 PAX AIRBUS A320	
	CONFIG, CNTL	DATE 03/17/2009		
MACHINED SURFACE FINISHES 126 MAX.	IN LIEU OF	SIZE A	DWG NO. 009-21502	REV. N/C
		SCALE NONE	SHEET 2 OF 3	

4

3

2

1